

Light-emitting diode module Prism P3 HE 1,2W

TECHNICAL INFORMATION

LED type	2835
Input	12V DC
Beam angle	165°
Protection level	IP 67
Center-to-center distance	210 mm
Working temperature	-30°C + 50°C
Available colors	● ● ●
Power	1,2 W 1,2 W 1,2 W
Light output	40 lm 99 lm 22 lm

FOR CHANNEL LETTERS

MODULE DESIGNED CHANNEL LETTERS

DEPTH 100-150 MM

BEST FOR 100-150MM DEEP LIGHTBOXES

MIN MAX 1:1,8 RATIO

RECOMMENDED DEPTH: C-C DISTANCE RATIO

UP TO 120LM/W

HIGH EFFICIENCY LED INSIDE

IP67

DUST AND WATER PROTECTED

HIGH BRIGHTNESS PER MODULE

COLORS

AVAILABLE IN RED, GREEN AND BLUE

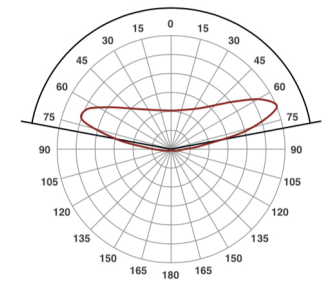
5 YEARS WARRANTY

5 YEAR EXTENDED WARRANTY

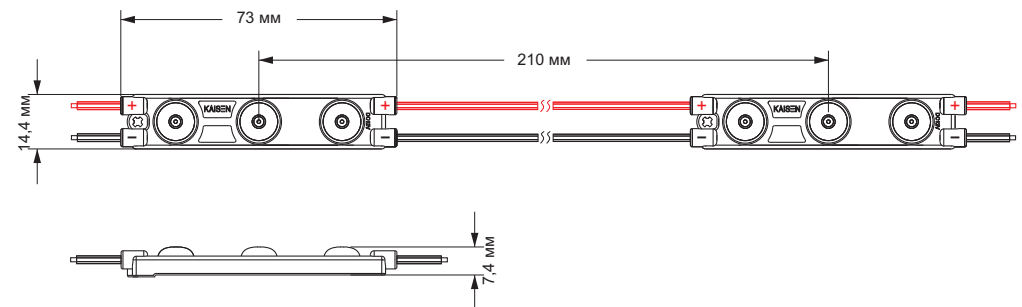


LIGHT DISTRIBUTION GRAPH

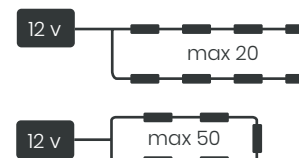
Beam angle is 165°



DIMENSIONS



CONNECTION



PACKAGING

Packing type	Chain	Package	Box
Quantity	20 pcs	200 pcs	1600 pcs
Weight	0,2 kg	1,99 kg	16 kg